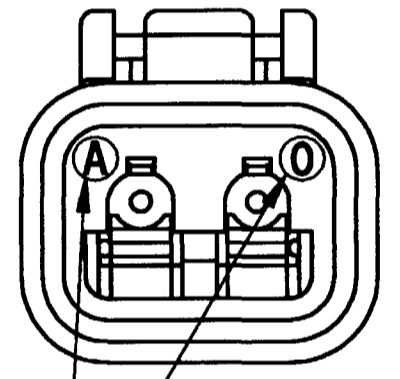
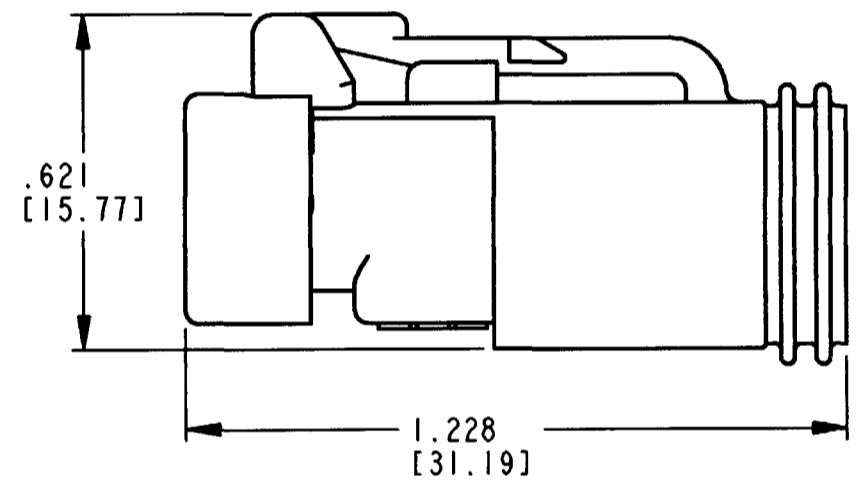
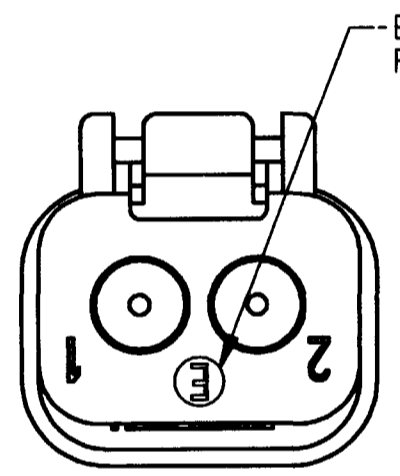
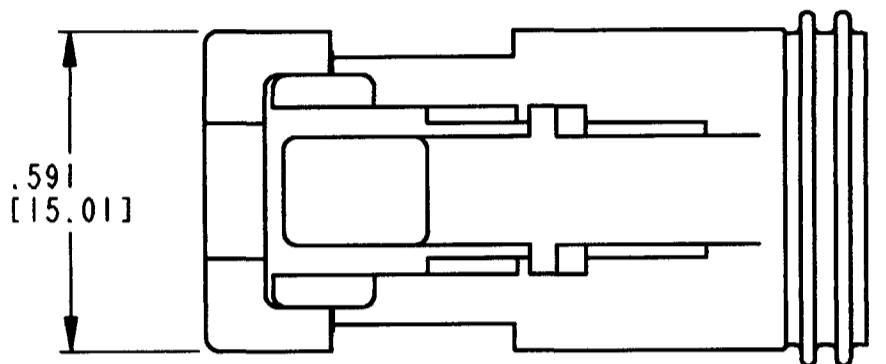


REV  
A DT06-2S-CE01

REVISIONS			
SYM	DESCRIPTION	DATE	APPROVED
NC	NEW RELEASE PER E.O. P16134	6/3/99	R.D.R
A	REVISED PER E.O. P17391	8-10-01	RDR



CONTACT SIZE	MIN. INSUL O.D.	MAX. INSUL O.D.	WIRE RANGE [mm <sup>2</sup> ] REF ONLY
16	.053 [1.35]	.120 [3.05]	14-20 AWG [2.0-0.5]

DATE CODE:  
MONTH IS REPRESENTED BY SEQUENTIAL ALPHA CHARACTERS. EX: A=JANUARY  
YEAR IS REPRESENTED BY THE LAST NUMERICAL DIGIT. EX: 0=2000

4. THIS PLUG MATES WITH DT04-2P-\*\*\*\* RECEPTACLE(\*\*\*\* = ALL MODIFICATIONS). CONSULT FACTORY FOR MODIFICATIONS.

3. FOR CONTACTS AND WIRE PERFORMANCE AND APPLICATION CHARACTERISTICS SEE ENVELOPE DRAWING 0425-015-0000 AND 0425-017-0000.

2. DIMENSIONS ARE ±.025[0.63] UNLESS OTHERWISE SPECIFIED.

1. DIMENSIONS ARE IN INCHES [MILLIMETERS].

NOTES:

SIGNATURE & DATE		2 WAY PLUG W/ REDUCED DIA. WIRE SEAL AND END CAP COLOR: GRAY DT SERIES	CP	MATL. CODE
DR	S. THEIS 6/2/99		The Deutch Company	
CHK	<i>Richard Tomasek 8/10/01</i>		DEUTSCH I.P.D. 3850 INDUSTRIAL AVE. HEMET, CALIF. 92545	
PE	<i>John J. ... 8/10/01</i>		B DT06-2S-CE01	
APPD	<i>Steve B-10-01</i>		DWG SIZE	CODE 11139
SCALE	NONE WT	ENVELOPE		